

**KORDSA**

THE REINFORCER



Commisioner Profile

**Volkan Özkan**

# Volkan Özkan



Bapak Volkan Özkan, warga negara Turki, usia 43 tahun, lahir di Istanbul, Turki.

*Mr. Volkan Özkan, Turkish citizen, 43 years old, born in Istanbul, Turkey.*

Bapak Volkan Özkan adalah lulusan dari Universitas Teknik Istanbul jurusan Management Engineering pada tahun 1999. Pada tahun 2012 Beliau mendapatkan sertifikat Management Accountant dari Institute of Certified Management Accountants.

*Mr. Volkan Özkan received his degree from Istanbul Technical University majoring in Management Engineering in 1999. In 2012 He received his certification in Management Accountant from Institute of Certified Management Accountants.*

Beliau memulai karir profesionalnya Pada tahun 2001 di Japan International Corporation Agency sebagai Project Evaluation and Development Expert.

*He started his professional career In 2001 at Japan International Corporation Agency as Project Evaluation and Development Expert.*

Kemudian pada tahun 2003, beliau bergabung dengan Sakosa Industrial Yarn and Tirecord Fabric Manufacturing and Trading Company sebagai Finance Expert.

*Afterwards in 2003, he joined Sakosa Industrial Yarn and Tirecord Fabric Manufacturing and Trading Company as Finance Expert.*

# Volkan Özkan



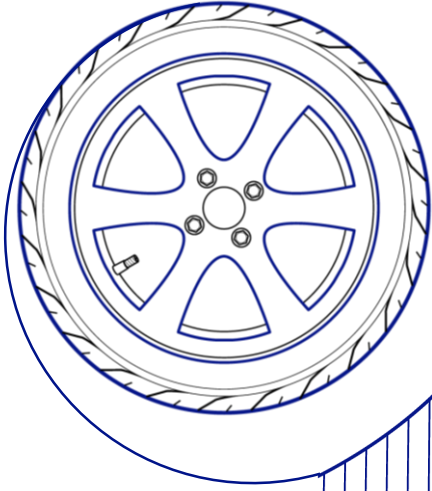
Pada tahun 2005, beliau bergabung dengan Kordsa Global dan memegang beberapa jabatan di divisi finance. *In 2005, he joined Kordsa Global and held several positions in finance division.*

Pada tahun 2011-2014 beliau menjabat sebagai Global Finance Manager pada tahun 2011. *In 2011-2014, he was appointed as Global Finance Manager in 2011.*

Pada tahun 2014-2017, beliau menjabat sebagai Direktur di PT Indo Kordsa Tbk, PT Indo Kordsa Polyester dan Thai Indo Kordsa. *In 2014-2017, he served as member of the Board in PT Indo Kordsa Tbk, PT Indo Kordsa Polyester and Thai Indo Kordsa.*

Pada 2017 sampai saat ini beliau menjabat sebagai Chief Financial Officer di Kordsa. *In 2017 until now he was served as Chief Financial Officer at Kordsa.*

Beliau tidak memiliki afiliasi dengan anggota Dewan Komisaris, atau anggota Direksi, tetapi memiliki afiliasi dengan pemegang saham utama. *He has no affiliations with members of the Board of Commissioners, or members of the Board of Directors, but affiliated with major shareholders.*



**KORDSA**

THE REINFORCER



**President Director Profile**  
**İbrahim Özgür Yıldırım**

# İbrahim Özgür Yıldırım



Bapak İbrahim Özgür Yıldırım warga negara Turki, berusia 50 tahun. Lahir di Karabuk, Turki.

*Mr. İbrahim Özgür Yıldırım is a Turkish Citizen, 50 years old. Born in Karabuk, Turkey.*

Bapak İbrahim Özgür Yıldırım meraih gelar Bachelor of Science (BSc) jurusan Chemical Engineering dari Middle East Technical University pada tahun 1993 dan meraih gelar Master of Business Administration (MBA) di Sabancı University di tahun 2005.

*Mr. İbrahim Özgür Yıldırım earned his Bachelor of Science (BSc) Degree from Chemical Engineering Department, Middle East Technical University in 1993 and Master of Business Administration (MBA) Degree from Sabancı University in 2005.*

Beliau memulai karir profesionalnya Pada tahun 199 di Rafine Chemicals dan selanjutnya bekerja di beberapa perusahaan manufaktur lainnya.

*He started his professional career in 1994 at Rafine Chemicals and has worked in different manufacturing companies.*

Pada tahun 1998-2013, beliau telah menduduki beberapa posisi managerial maupun posisi eksekutif officer di Kordsa.

*in 1998-2013, He has served Kordsa in various managerial and executive officer position.*

# İbrahim Özgür Yıldırım



Pada tahun 2013-2017, beliau menjabat sebagai Chief Technology Officer dan juga merangkap sebagai Composites Business Unit Leader di Kordsa. *in 2013-2017, he served as the Chief Technology Officer and also as Composites Business Unit Leader at Kordsa.*

Pada tahun 2017-2018, beliau menjabat sebagai Chief Technology Officer, Chief Operating Officer – Amerika Selatan dan Composite Business Unit Leader di Kordsa. *in 2017-2018, he served as Chief Technology Officer, Chief Operating Officer – Officer for South America and Composites Business Unit Leader at Kordsa.*

Pada tahun 2018-2020, Beliau ditunjuk sebagai Chief operating Officer Europe, Middle East and Africa (EMEA) di Kordsa. *in 2018-2020, he was appointed as Chief operating Officer for Europe, Middle East and Africa (EMEA) at Kordsa.*

Pada tahun 2020 - sekarang, beliau ditunjuk sebagai Chief Operating Officer, Asia Pacific (APAC) di Kordsa. *In 2020 until now, he has been appointed as Chief Operating Officer, Asia Pacific (APAC) at Kordsa.*

# İbrahim Özgür Yıldırım

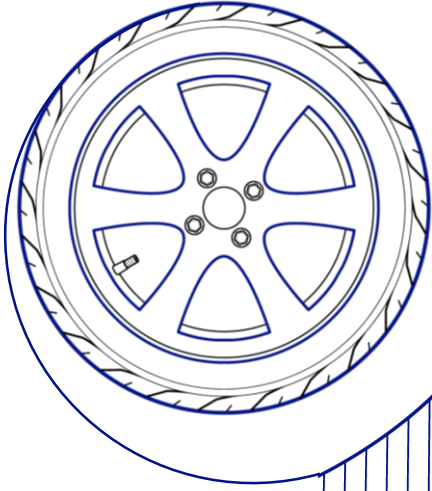


Sebelum ditunjuk sebagai Presiden Direktur beliau merupakan anggota Komisaris di PT Indo Kordsa Tbk dan PT Indo Kordsa Polyester untuk periode 2016 - 2020.

*Before being appointed as President Director, he was a member of the Commissioner at PT Indo Kordsa Tbk and PT Indo Kordsa Polyester for the 2016 - 2020 period.*

Beliau tidak memiliki afiliasi dengan anggota Dewan Komisaris, atau anggota Direksi, tetapi memiliki afiliasi dengan pemegang saham utama.

*He has no affiliations with members of the Board of Commissioners, or members of the Board of Directors, but affiliated with major shareholders.*



**KORDSA**

THE REINFORCER



Director Profile  
**Mehmet Zeki Kanadikirik**



# Mehmet Zeki Kanadikirik



Bapak Mehmet Zeki Kanadikirik, umur 55 tahun warga Negara Turki, lahir di Ankara, Turkey.

*Mr. Mehmet Zeki Kanadikirik, 55 age years old, Turkish citizen, born in Ankara, Turkey.*

Beliau adalah lulusan dari Universitas Teknik Middle-East dari jurusan Mechanical Engineering pada tahun 1987. Bapak Kanadikirik mengambil program khusus terkait dengan General Management pada tahun 2011 pada INSEAD Business School, Fontainebleau & Singapore.

*He was graduated from Middle East Technical University, Mechanical Engineering in year 1987. Mr. Kanadikirik then took special program related with General Management in year 2011 at INSEAD Business School, Fontainebleau & Singapore.*

Beliau diangkat sebagai Direktur Utama Perseroan pada RUPS Tahunan Tahun Buku 2014 yang diadakan pada tanggal 25 Juni 2015. Bapak Kanadikirik memulai karir sebagai Project Engineer – Development Engineer pada tahun 1989 di Brisa Bridgestone Sabanci Tire Manufacturing Plant A.S. Kemudian pada tahun 1995 beliau bergabung dengan Lubrekip Yaglama Sistemleri Ve San Ltd., STI sebagai Managing Partner.

*Mr. Kanadikirik is appointed as President Director by General Meeting of Shareholders for financial year 2014 conducted on June 25, 2015. Mr. Kanadikirik started his career as Project Engineer – Development Engineer in Brisa Bridgestone Sabanci Tire Manufacturing Plant A.S in year 1989. Mr. Kanadikirik joined Lubrekip Yaglama Sistemleri Ve San Ltd., STI as Managing Partner in year 1995.*

# Mehmet Zeki Kanadikirik



Pada tahun 1998 beliau bergabung dengan Dusa Endustriyel Iplik Ve San A.S sebagai Project Engineer. Bapak Kanadikirik bergabung dengan Kordsa Global A.S pada tahun 2000 sebagai Polymer Production & Utility Manager dan kemudian bergabung dengan Tekstil Servis Ltd STI pada tahun 2003 sebagai Mechanical Engineer Sales

*In year 1998 he joined Dusa Endustriyel Iplik Ve San A.S as Project Engineer. Later on he joined Kordsa Global A.S in year 2000 as Polymer Production & Utility Manager and next joined Tekstil Servis Ltd STI in year 2003 as Mechanical Engineer Sales.*

Beliau kembali bergabung dengan Kordsa Global dan menjadi Line 1 Production Manager di Izmit Plant pada tahun 2006. Pada tahun 2009 beliau dipromosikan menjadi Direktur Operasi Izmit Plant dan kemudian diangkat menjadi Managing Director di Thai Indo Kordsa Co. Ltd pada tahun 2015. Selanjutnya pada tahun yang sama beliau diangkat menjadi President Direktur Perseroan dan Chief Operating Officer APAC Kordsa Global sampai September 2020.

*He then started working in Kordsa Global as Line 1 Production Manager in Izmit Plant in year 2006. Mr. Kanadikirik got promoted in 2009 as Operations Director of Izmit Plant and later appointed as Managing Director of Thai Indo Kordsa Co. Ltd until 2015. in the same year, he was appointed as President Director of the Company and Chief Operating Officer APAC of Kordsa Global until September 2020.*

# Mehmet Zeki Kanadikirik



pada September 2020, beliau menjabat sebagai General Manager di Akçansa, Turkey.

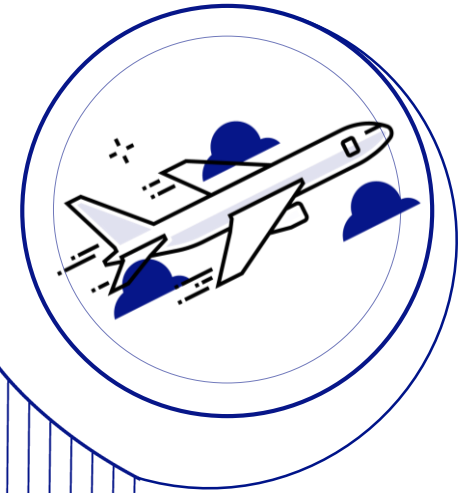
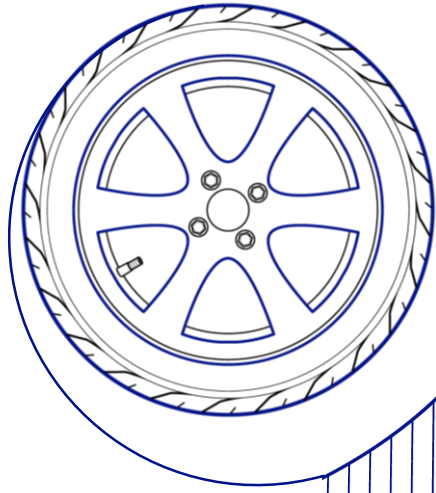
In September 2020, he was appointed as General Manager at Akçansa, Turkey.

Beliau tidak memiliki afiliasi dengan anggota Dewan Komisaris, atau anggota Direksi, tetapi memiliki afiliasi dengan pemegang saham utama.

*He has no affiliations with members of the Board of Commissioners, or members of the Board of Directors, but affiliated with major shareholders.*

**KORDSA**

THE REINFORCER



Independent Director Profile  
**Bülent Bozdoğan**

# Bülent Bozdogan



Bapak Bülent Bozdogan warga Negara Turki, usia 64 tahun lahir di Balikesir, Turki. *Mr Bülent Bozdogan, Turkish citizen, 64 years old, was born on 21 of June 1956 in Balikesir, Turkey.*

Bapak Bülent Meraih gelar Sarjana Ekonomi dan Ilmu Administrasi jurusan Administrasi Bisnis dari Middle East Technical University, Turki. *Mr Bülent Received bachelor's degree of Economic and Science Administration in Business Administration from Middle East Technical University, Turkey.*

Beliau memulai karir profesionalnya Pada tahun 1980 di WaterhouseCoopers sebagai senior auditor. *He started his professional career In 1980 at WaterhouseCoopers as a senior auditor.*

Beliau telah memegang beberapa jabatan senior antara lain. *He has held several senior positions, among others*

Pada tahun 1991-2000, beliau menjabat sebagai Executive Vice President, Finance, Planning, and Control di Brisa Bridgestone Sabancı Tire Manufacturing and Trade Inc., Turkey. *In 1991-2000, he served as Executive Vice President, Finance, Planning, and Control at Brisa Bridgestone Sabancı Tire Manufacturing and Trade Inc., Turkey.*

# Bülent Bozdoğan



Pada tahun 2001-2009, beliau menjabat sebagai VP, Finance and Sourcing (CFO & Global Sourcing) di Kordsa Global A.S, Turkey. *In 2001-2009, he served as VP, Finance and Sourcing (CFO & Global Sourcing) at Kordsa Global U.S, Turkey.*

Pada tahun 2009-2017, beliau menjabat sebagai Chief Audit Executive/Chairman of the Ethics Committee di Sabanci Holding, Turkey. Beliau juga menjabat sebagai Board of Directors of Turkish Institute of Internal Auditors periode 2010-2012. *In 2009-2017, he served as Chief Audit Executive/Chairman of the Ethics Committee at Sabanci Holding, Turkey. He also served as the Board of Directors of the Turkish Institute of Internal Auditors for the period 2010-2012.*

Dan pada tahun 2018-2019, beliau menjabat sebagai CEO Dedeman Holding, Turki. *And in 2018-2019, he served as CEO of Dedeman Holding, Turkey.*

## Bülent Bozdogan



Beliau pernah menjabat sebagai direktur PT Indo Kordsa Tbk pada periode tahun 2007-2010. *He has served as a director of PT Indo Kordsa Tbk in the period 2007-2010.*

Beliau tidak memiliki afiliasi dengan anggota Dewan Komisaris, atau anggota Direksi, atau dengan pemegang saham utama. *He has no affiliations with members of the Board of Commissioners, or members of the Board of Directors, or with major shareholders.*